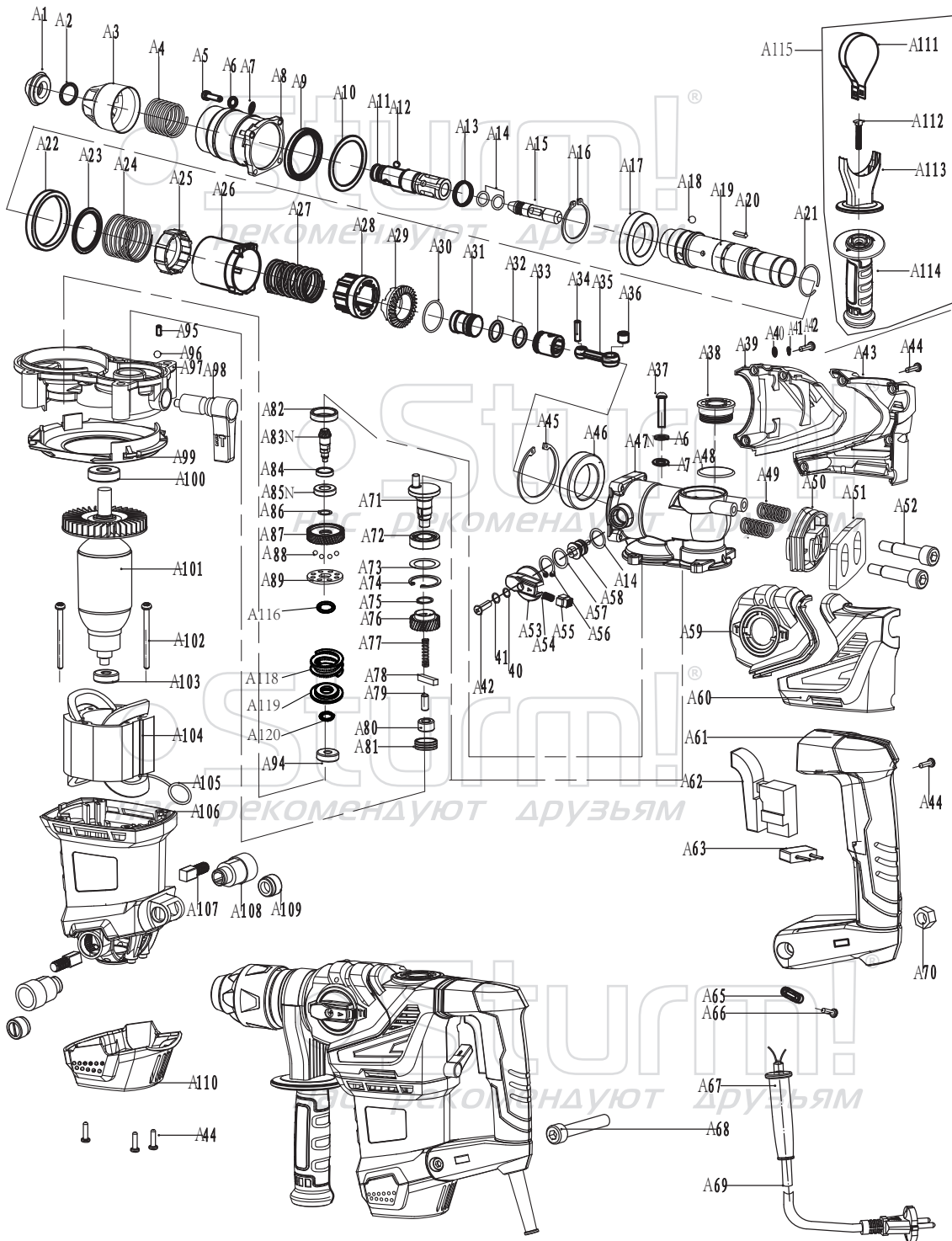


RH2517



NO.	DESCRIPTION	NO.	DESCRIPTION
A1	RUBBER HEAD	A59	LEFT ALUMINIUM COVER
A2	STEEL RING 17.5*2	A60	LEFT PLASTIC COVER
A3	STEEL FRAME	A61	HANDLE
A4	SPRING 30.2*1.8*76	A62	SWITCH
A5	SCREW	A63	ELECTRIC CAPACITY
A6	WASHER	A65	CABLE BOARD
A7	WASHER	A66	SCREW
A8	CYLINDER HOUSE	A67	CABLE SHEATH
A9	OIL SEAL 35*51*6	A68	SCREW
A10	WASHER 45*54.5*1	A69	CABLE
A11	TELEFLEX	A70	NUT M8
A12	BALL Ø7.14	A71	ECCENTRIC SHAFT
A13	X-RING 20.9*2.2*4	A72	BEARING6003
A14	O-RING 11*2	A73	WASHER 34.5X28.5X1
A15	IMPACT HAMMER	A74	WASHER 35
A16	WASHER	A75	WASHER 17
A17	BEARING 6907-RZ	A76	GEAR
A18	BALL Ø7.94	A77	SPRING
A19	CYLINDER	A78	FLAT KEY
A20	FLAT KEY 3X2.5X18	A79	PIN
A21	RING 28X1.6	A80	BUSH
A22	PLASTIC RING 47X55X7	A81	STEEL SLEEVE 26X22X9
A23	WASHER 38X47X1.5	A82	OIL SEAL 35*51*6
A24	SPRING 42x2x28	A83N	GEAR SHAFT
A25	PLASTIC SLEEVE	A84	WASHER
A26	CHISEL LOCK DISTANCE SLEEVE	A85N	BEARING16002
A27	SPRING34*2.5*50	A86	WASHER 14.1X19X0.5
A28	CLUTCH	A87	GEAR 39 TEETH
A29	GAMP GEAR	A88	BALL 5
A30	O-RING 28*1.8	A89	FIXED PLATE
A31	RAMMER 25*30	A94	BEARING627
A32	O-RING 19*3.1	A95	RUBBER COLUMN
A33	PISTON	A96	BALL 4
A34	PISTON PIN 6*23.5	A97	MIDDLE COVER
A35	CONNECTING ROD	A98	TWISTING FOR HAMMER
A36	STEEL SLEEVE12*10*8	A99	FAN GUIDE
A37	SCREW	A100	BEARING 6001Z
A38	OIL COVER	A101	ROTOR
A39	RIGHT ALUMINIUM COVER	A102	SCREW
A40	WASHER 4	A103	BEARING 608Z
A41	FLAT WASHER 4	A104	STATOR
A42	SCREW M4*14	A105	SPRING
A43	RIGHT ALUMINIUM COVER	A106	MOTOR HOUSING
A44	SCREW ST3.9*16	A107	BRUSH
A45	WASHER 18	A108	BRUSH HOLDER
A46	BUSH 30X47X9	A109	BRUSH COVER
A47N	GEAR BOX	A110	BACK COVER
A48	O-RING 31.5X2	A111	HOOP
A49	ANTI-VIBRATION SPRING	A112	T-SHAPE SCREW M8*50
A50	ANTI-VIBRATION HOLDER	A113	BRACKET
A51	ANTI-VIBRATION BOARD	A114	AUXILIARY HANDLE
A52	ANTI-VIBRATION SCREW M8*15	A115	AUXILIARY HANDLE ASS
A53	TWO FUNCTION SWITCH	A116	CIRCLIP 12.5X1
A54	SPRING 0.6*4.5*17.5	A118	CLUTCH BIG SPRING
A55	BUTTON PIN	A119	SPRING SEAT
A56	WASHER 18	A120	CIRCLIP 8.5X1.2
A57	WASHER		
A58	DIAL TWIST		